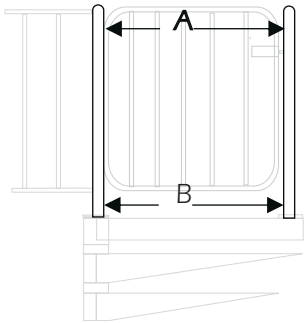




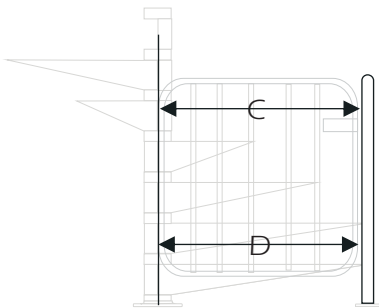
## Standard Detail Gates

### Top Gate



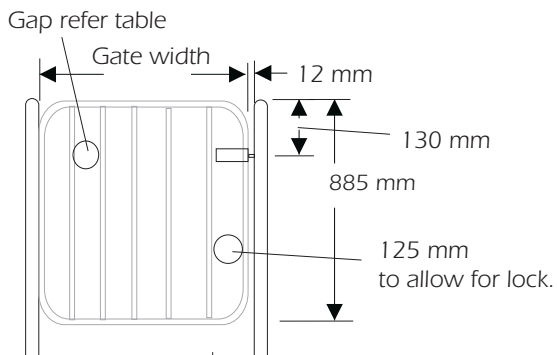
|                            |      |      |      |      |      |
|----------------------------|------|------|------|------|------|
| Stair diameter-mm          | 1880 | 1750 | 1500 | 1300 | 1070 |
| Gate width-mm              | 826  | 761  | 636  | 536  | 421  |
| Number of bars             | 5    | 5    | 4    | 3    | 2    |
| Centers balusters-mm       | 133  | 120  | 118  | 124  | 129  |
| Width between balusters-mm | 117  | 104  | 102  | 108  | 113  |

### Bottom Gate



|                              |      |      |      |      |      |
|------------------------------|------|------|------|------|------|
| Stair diameter-mm            | 1880 | 1750 | 1500 | 1300 | 1070 |
| Gate width-mm                | 861  | 796  | 671  | 571  | 456  |
| Number of bars               | 5    | 5    | 4    | 3    | 3    |
| Centers between balusters-mm | 140  | 127  | 127  | 136  | 98   |
| Width between balusters-mm   | 124  | 111  | 111  | 120  | 82   |

### Gate Detail



### Site Measure Details

Measurements required to order an enzie gate  
( Clear distance between posts or column and post, in two locations as shown)

Customer.....  
Address .....  
.....P/C.....

Phone .....

Dimensions:  
A= ..... B= .....  
D= ..... C= .....

Colour .....